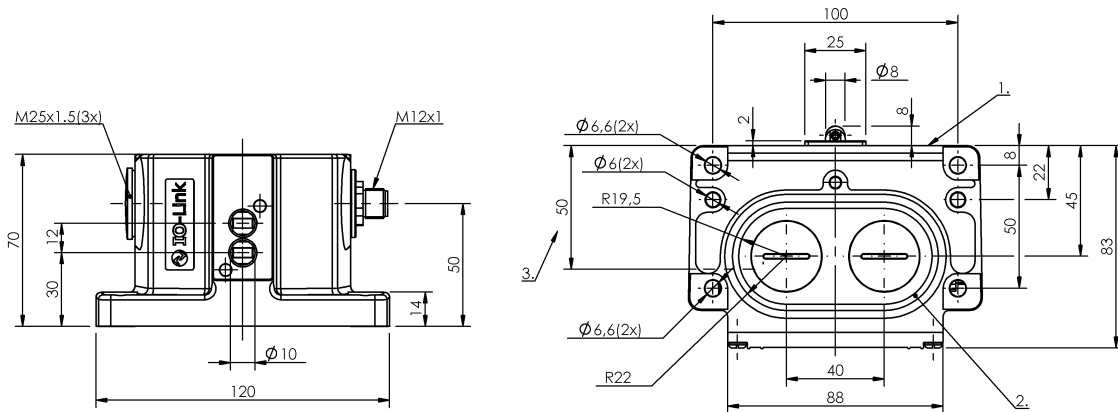


Mechanical Cam Switches
BNS 819-D02-R12-100-10-S4R-I
 Order Code: BNS043F

BALLUFF



1) Reference edge, 2) Sealing ring, 3) Cable passage



Basic features

Approval/Conformity	CE UKCA WEEE
Basic standard	IEC 60947-5-1
DIN switch	DIN 43697
Operating principle	1-2. Switch position: Mechanical
Version	Snap contact

Display/Operation

Function indicator	1-2. Switch position: None
--------------------	----------------------------

Electrical connection

Connection	M12x1-Flange male, 4-pin, A-coded
Connection type	1. Switch position: Connector

Electrical data

Rated operating voltage Ue DC	24 V
Switching function mechanical	Double-interrupting galvanically isolated One NO and one NC Dual changeover
Switching rate	1-2. Switch position: 300/min

Environmental conditions

Ambient temperature	-5...85 °C
IP rating	IP67

Functional safety

B10d (EN ISO 13849-1)	BSE 30.0: 30 mil. switching cycles
-----------------------	------------------------------------

Interface

Cycle time min.	3 ms
Frame type	2.1
Interface	IO-Link 1.1
Process data cycle min.	3 ms

Material

Housing material	Aluminium, Anodized
Housing material, surface protection	Anodized
Material contacts	1-2. Switch position: Silver, gold plated
Plunger material	1-2. Switch position: 1.4034 stainless steel

Mechanical Cam Switches
BNS 819-D02-R12-100-10-S4R-I
Order Code: BNS043F

BALLUFF

Mechanical data

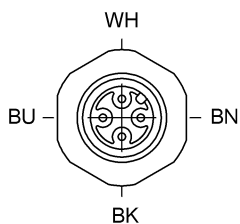
Approach direction	longitudinal, parallel to attachment surface
Approach speed	1-2. Switch position: 60 m/min
Dimension	120 x 70 x 83 mm
Distance cam - reference edge	1-2. Switch position: 4.50...5.00 mm
Flange, feed-through	2 threaded exit M25
Installation	Vertical
Life expectancy mechanical	1-2. Switch position: 30 mil. switching operations

Number of switching positions	2x Roller Mechanical
Plunger spacing 1st switch position	30 mm
Plunger style	1-2nd switch position: Roller 1-2nd switch position: Roller
Switch actuation force	1-2. Switch position: 20 N
Switching element	1-2. Switch position: BSE 30.0

Range/Distance

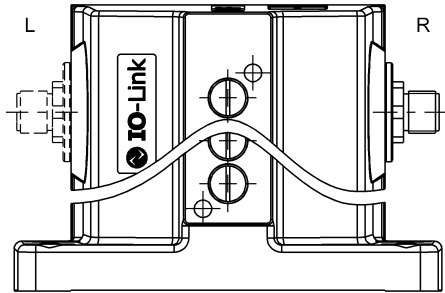
Reproducibility	1-2. Switch position: ±0.01 mm
Switch position spacing	12 mm

Connector Drawings



View of connector side

Wiring Diagrams



PIN 1: +24V
PIN 3: 0V
PIN 4: IO-Link



Help Views

BNS with IO-Link from 1 up to 16 positions

Frame type: 2.1
 Process data length: 1 Byte

Process data image:

Process data: ≤ 8 positions							
Byte 0							
7	6	5	4	3	2	1	0
NO / NC 8	NO / NC 7	NO / NC 6	NO / NC 5	NO / NC 4	NO / NC 3	NO / NC 2	NO / NC 1

Process data: > 8 positions															
Byte 0								Byte 1							
7	6	5	4	3	2	1	0	7	6	5	4	3	2	1	0
NO / NC 16	NO / NC 15	NO / NC 14	NO / NC 13	NO / NC 12	NO / NC 11	NO / NC 10	NO / NC 9	NO / NC 8	NO / NC 7	NO / NC 6	NO / NC 5	NO / NC 4	NO / NC 3	NO / NC 2	NO / NC 1

On-request data:

	DPP	SPDU		Object name	Length	Range	Default value
	Index	Index	Sub-Index				
Identification Data	0x07			Vendor ID	2 Byte	read only	0x0378
	0x08			Decice ID	3 Byte		0x01010X X = No. of positions
	0x09						
	0x0A						
	0x0B						
		0x10	0	Vendor name	7 Byte		BALLUFF
		0x11	0	Vendor text	15 Byte		www.balluff.com
		0x12	0	Product name	31 Byte		BNS 819-xxx-xxx-xx-S4x-I
		0x13	0	Product ID	7 Byte		BNSxxxx
		0x14	0	Product text	10 / 11 Byte		BNS xx-fach
	0x16	0	Hardware Revision	2 Byte			
	0x17	0	Firmware Revision	2 Byte			
Programmable Data		0x40	0	NO / NC	≤ 8 positions = 1 Byte	0x00 - (2^positions)-1 (1 Bit = 1 position)	"0"
			> 8 positions = 2 Byte				
		1 - 16	1 Byte		"0" Not inverted "1" inverted		

Errors:

Class			Error Code	Additional Code
Mode	Type	Instance		
single shot	Error	AL	Device application error	Index not available
0x40	0x30	0x03	0x80	0x11
	0x73		0x80	0x11
single shot	Error	AL	Device application error	Sub-Index not available
0x40	0x30	0x03	0x80	0x12
	0x73		0x80	0x12

Input data: No input data available